

The background of the entire page is a photograph of a factory worker wearing safety glasses and a dark shirt. The worker is focused on a task, holding a component of a cam switch. The foreground and middle ground are filled with numerous rows of similar cam switch units, which have black top covers and white bases with visible electrical terminals. The scene is lit with a cool, blue-toned light, creating a professional and industrial atmosphere.

ENCLOSED CAM SWITCHES

12-630 A

| Enclosed | Cam Switches

Enclosed
Cam Switches



Enclosed Cam Switches

■ General features

TRS Co. provides many types of enclosed cam switches. These products are very common in operational areas in factories, workshops & etc. and are often used as load break switches, machine controllers or generally as main control switches. In some areas, TRS enclosed switches are used to connect/disconnect, local power/diesel generators to the consumption area in case of network power failure or black out. The general features of these products are:

- ▶ Wide range of application in Industrial facilities
- ▶ Wide range of 12 – 630 A
- ▶ Any TRS cam switch can be used with enclosures
- ▶ Easy and quick installation
- ▶ Water & dust protection: IP40, IP54, IP65
- ▶ Enclosures made of ABS or Metal
- ▶ Glands & grommet installation on any side
- ▶ Other necessary circuitry can be installed inside the enclosure

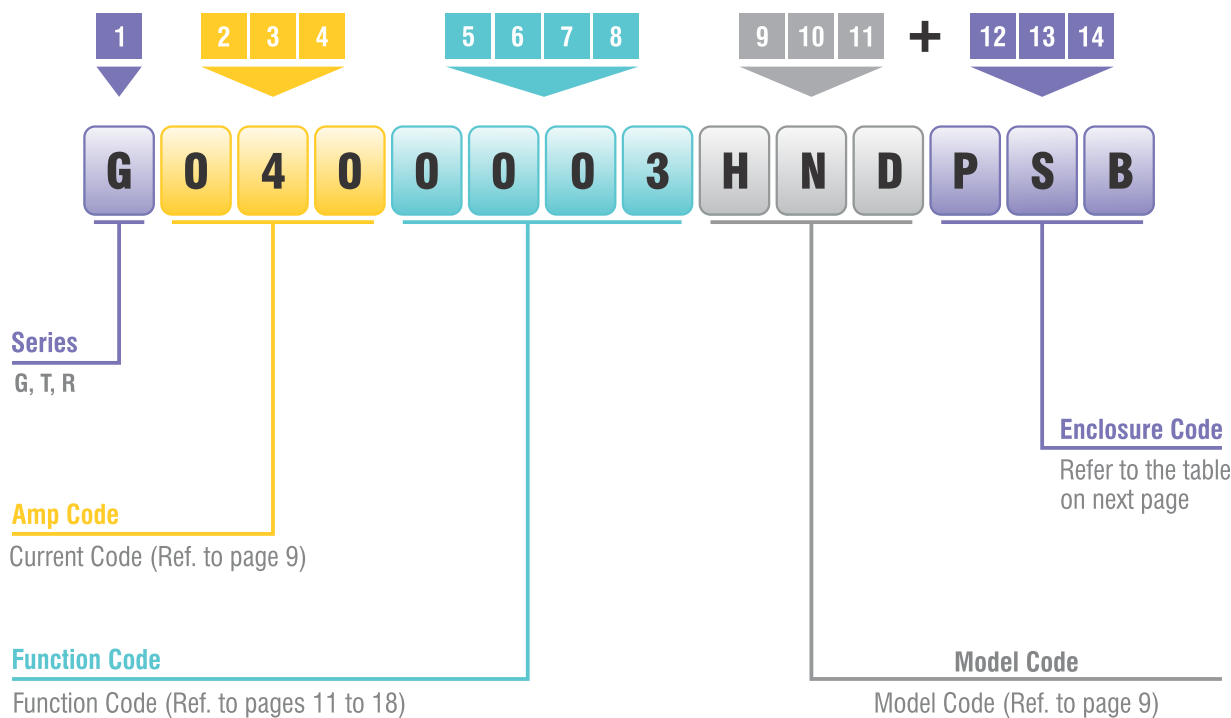


Each Enclosed cam switch can be defined using a **14 letter code** which is the combination of the Cam switch code and the enclosure code required for it. Enclosure codes are shown in the “Enclosure selection table” on next page.

Enclosed cam switch code:

Cam switch code (page 10)

+ Enclosure code (next page)



Enclosed Cam Switches

One Exception:

If you require handle operated cam switch, you have to write “HND” in the above “Model” field.

Example 1:

The code **G.032.0003.GL3.PTA** belongs to a G.032.0003.GL3 cam switch mounted on a code “PTA” enclosure.



Example 2:

The code **G.040.0003.HND.PSB** belongs to a handle operated G.040.0003 cam switch, mounted on a code “PSB” enclosure.

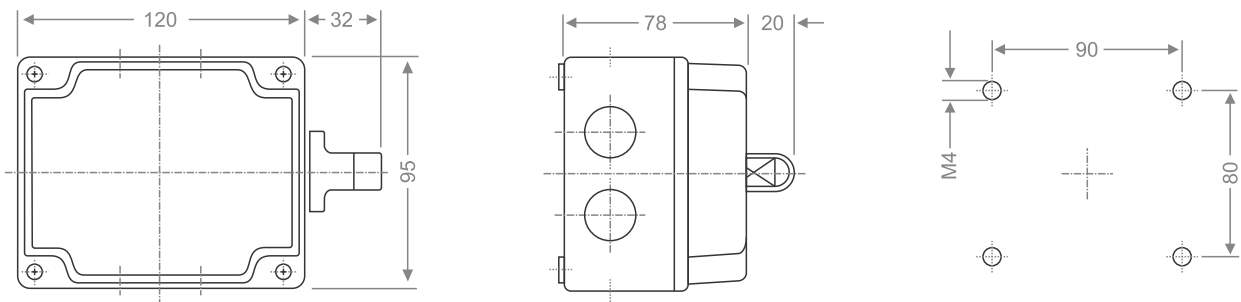


Enclosure Code	Dimensions(mm)	Description	Examples of final products
P S A	120x95x78	ABS Plastic IP 65	
P T A	120x95x78	ABS Plastic IP 65	
P S B	155x117x104	ABS Plastic IP 65	
P S C	184x130x122	ABS Plastic IP 65	

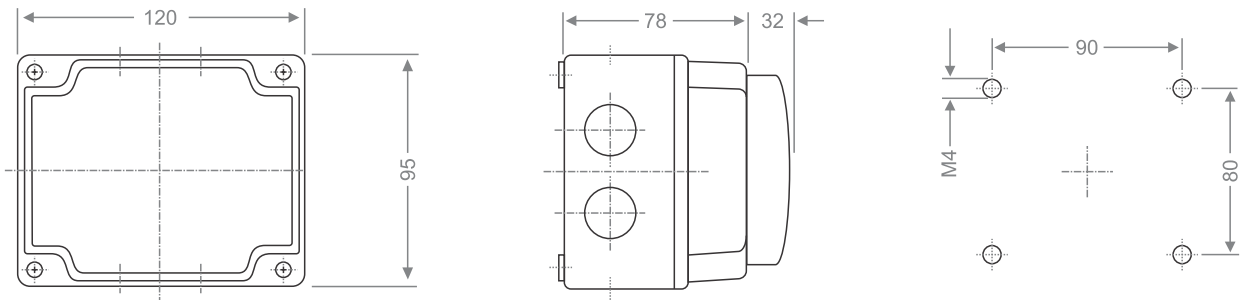
Enclosure Code	Dimensions(mm)	Description	Examples of final products
<p>P T C</p>	<p>184x130x122</p>	<p>ABS Plastic IP 65</p>	
<p>M S D</p>	<p>350x250x190</p>	<p>Metal enclosure IP 54</p>	
<p>M S E</p>	<p>520x400x220</p>	<p>Metal enclosure IP 54</p>	

Enclosed
Cam Switches

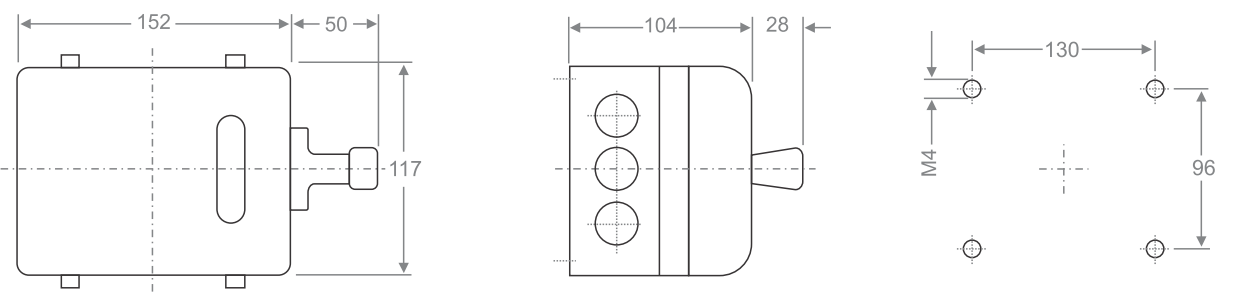
P S A



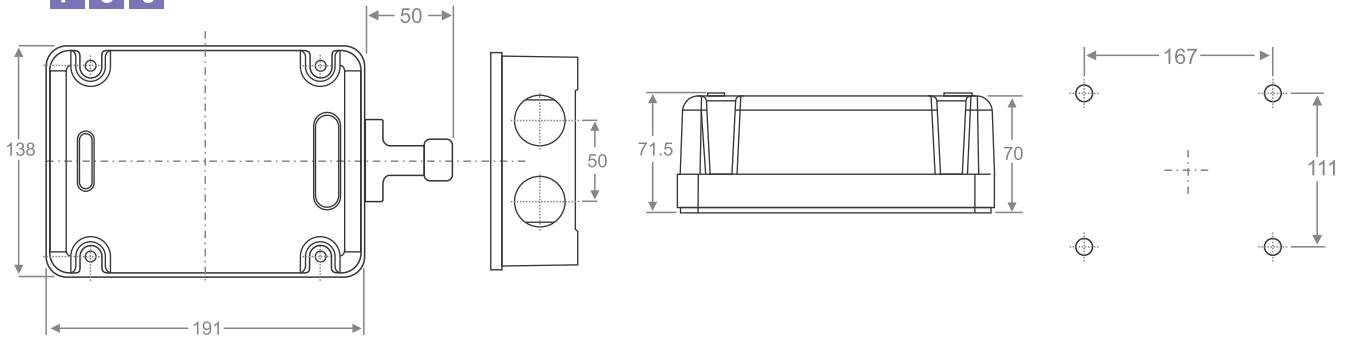
P T A



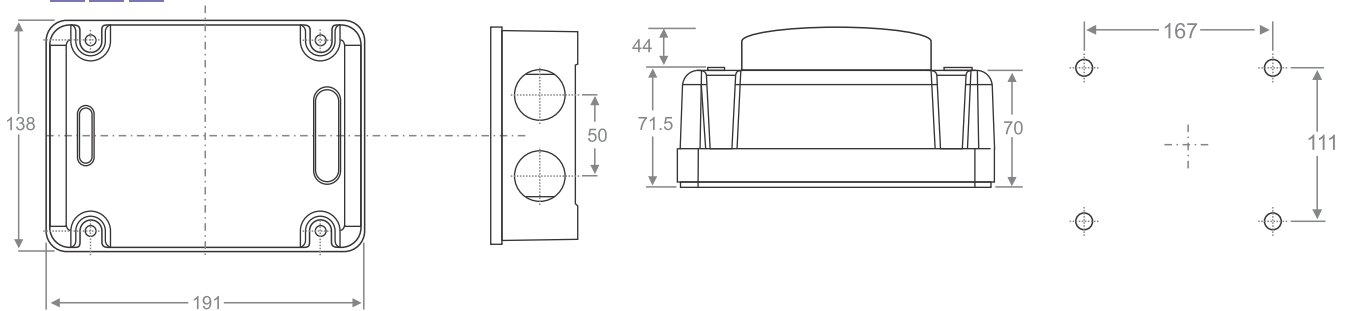
P S B



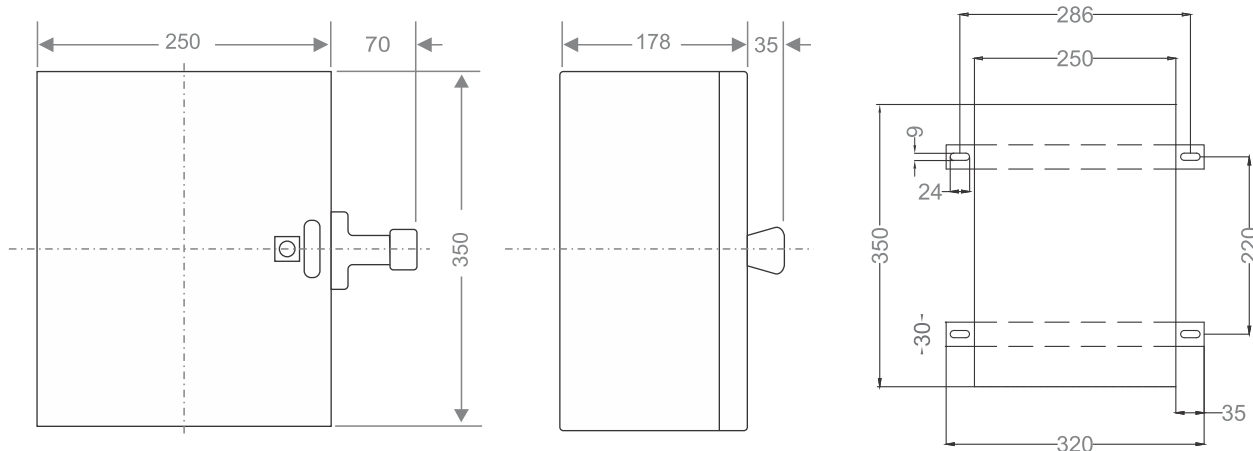
P S C



P T C



M S D



Enclosed
Cam Switches

M S E

